
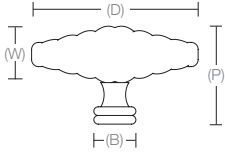


WROUGHT STEEL


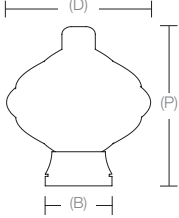
Cabinet Knobs & Pulls Technical Specifications

EMTEK


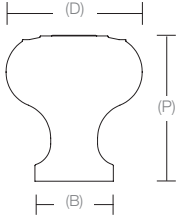
Wrought Steel Bastogne Knob

		Product Code Dimension(D) Projection(P) Base Diameter(B) Width(W)
		76017 2 3/8" 1 1/2" 5/8" 7/8"
		76018 3 3/8" 2" 11/16" 1 3/16"


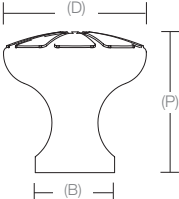
Wrought Steel Flanders Knob

		Product Code Dimension(D) Projection(P) Base Diameter(B)
		76011 1 1/4" 2" 5/8"
		76012 1 1/2" 2 1/8" 3/4"
		76042 2" 2 1/2" 13/16"

Wrought Steel Brittany Knob

		Product Code Dimension(D) Projection(P) Base Diameter(B)
		76015 1" 1 1/8" 5/8"
		76016 1 1/4" 1 3/8" 3/4"
		76043 1 3/4" 1 3/4" 15/16"

Wrought Steel Petal Knob


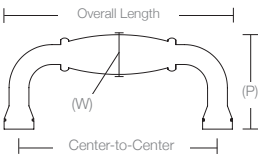
		Product Code Dimension(D) Projection(P) Base Diameter(B)
		76013 1" 1 1/4" 5/8"
		76014 1 1/4" 1 3/8" 3/4"
		76044 1 3/4" 1 1/2" 15/16"

WROUGHT STEEL


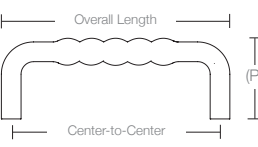
Cabinet Knobs & Pulls Technical Specifications

EMTEK


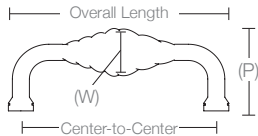
Wrought Steel Normandy Fixed Pull

		Product Code Overall Length Dimension(D) C-to-C Projection(P) Width(W) Center Only																		
		<table border="0"> <tr> <td>76027</td> <td>3 1/2"</td> <td>3"</td> <td>1 1/2"</td> <td>1 1/2"</td> </tr> <tr> <td>76023</td> <td>4"</td> <td>3 1/2"</td> <td>1 1/2"</td> <td>1 1/2"</td> </tr> <tr> <td>76024</td> <td>4 1/2"</td> <td>4"</td> <td>1 1/2"</td> <td>1 1/2"</td> </tr> <tr> <td>76046</td> <td>6 1/2"</td> <td>6"</td> <td>1 1/2"</td> <td>1 1/2"</td> </tr> </table>	76027	3 1/2"	3"	1 1/2"	1 1/2"	76023	4"	3 1/2"	1 1/2"	1 1/2"	76024	4 1/2"	4"	1 1/2"	1 1/2"	76046	6 1/2"	6"
76027	3 1/2"	3"	1 1/2"	1 1/2"																
76023	4"	3 1/2"	1 1/2"	1 1/2"																
76024	4 1/2"	4"	1 1/2"	1 1/2"																
76046	6 1/2"	6"	1 1/2"	1 1/2"																

Wrought Steel San Carlos Fixed Pull

 <p>(Back Plates Included)</p>		Product Code Overall Length Dimension C-to-C Projection(P) Diameter of Back Plates																		
		<table border="0"> <tr> <td>76026</td> <td>3 1/4"</td> <td>3"</td> <td>1 1/2"</td> <td>7/8"</td> </tr> <tr> <td>76021</td> <td>3 3/4"</td> <td>3 1/2"</td> <td>1 1/2"</td> <td>7/8"</td> </tr> <tr> <td>76022</td> <td>4 1/4"</td> <td>4"</td> <td>1 1/2"</td> <td>7/8"</td> </tr> <tr> <td>76045</td> <td>6 1/4"</td> <td>6"</td> <td>1 1/2"</td> <td>7/8"</td> </tr> </table>	76026	3 1/4"	3"	1 1/2"	7/8"	76021	3 3/4"	3 1/2"	1 1/2"	7/8"	76022	4 1/4"	4"	1 1/2"	7/8"	76045	6 1/4"	6"
76026	3 1/4"	3"	1 1/2"	7/8"																
76021	3 3/4"	3 1/2"	1 1/2"	7/8"																
76022	4 1/4"	4"	1 1/2"	7/8"																
76045	6 1/4"	6"	1 1/2"	7/8"																

Wrought Steel Lafayette Fixed Pull

		Product Code Overall Length Dimension(D) C-to-C Projection(P) Width(W)																		
		<table border="0"> <tr> <td>76025</td> <td>3 3/8"</td> <td>3"</td> <td>1 1/2"</td> <td>7/8"</td> </tr> <tr> <td>76019</td> <td>3 7/8"</td> <td>3 1/2"</td> <td>1 1/2"</td> <td>7/8"</td> </tr> <tr> <td>76020</td> <td>4 3/8"</td> <td>4"</td> <td>1 1/2"</td> <td>7/8"</td> </tr> <tr> <td>76047</td> <td>6 3/8"</td> <td>6"</td> <td>1 1/2"</td> <td>7/8"</td> </tr> </table>	76025	3 3/8"	3"	1 1/2"	7/8"	76019	3 7/8"	3 1/2"	1 1/2"	7/8"	76020	4 3/8"	4"	1 1/2"	7/8"	76047	6 3/8"	6"
76025	3 3/8"	3"	1 1/2"	7/8"																
76019	3 7/8"	3 1/2"	1 1/2"	7/8"																
76020	4 3/8"	4"	1 1/2"	7/8"																
76047	6 3/8"	6"	1 1/2"	7/8"																