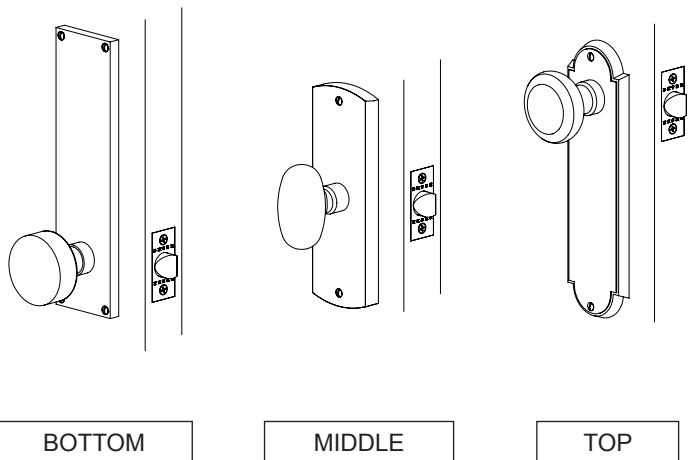
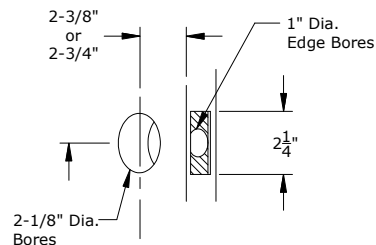


IMPORTANT!: Knob location on the sideplate (Top, middle, bottom) varies depending on style. Determine proper orientation BEFORE drilling holes.

1. Determine knob location & plate orientation

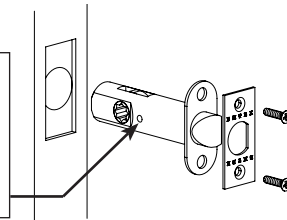


2. Door Prep



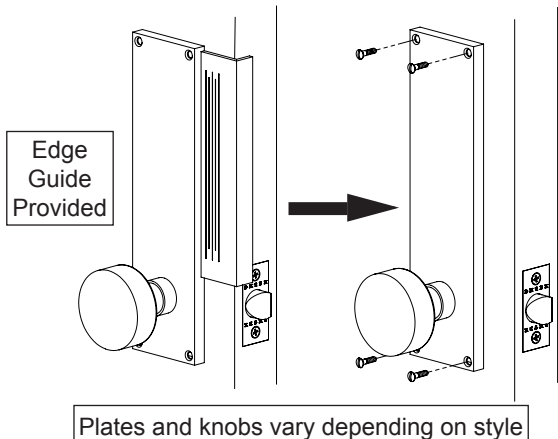
3. Install latch

For Privacy function: Threaded hole for the privacy pin must face the interior side of the door.

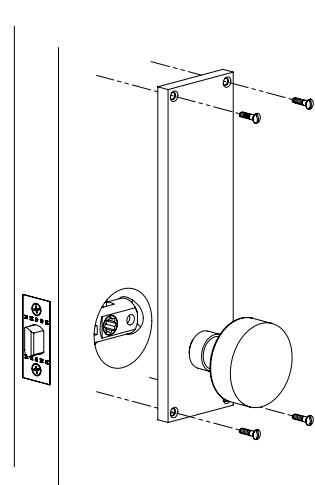


4. Mount Inside Trim Plate

Prior to drilling holes, align side plate using Edge Guide (provided).



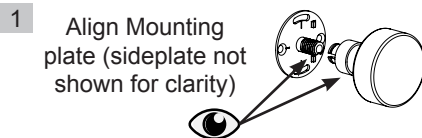
5. Mount Outside Trim Plate



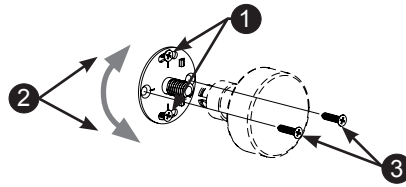
6. Tighten Knob

After lock has been installed tighten set screw with Allen Wrench.

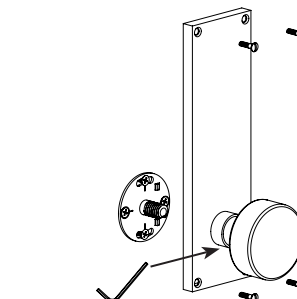
Dummy plate



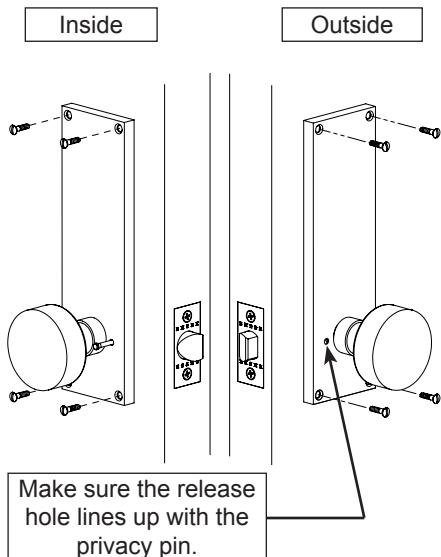
2 Install Mounting Plate & Adjust for level



3 Install Sideplate

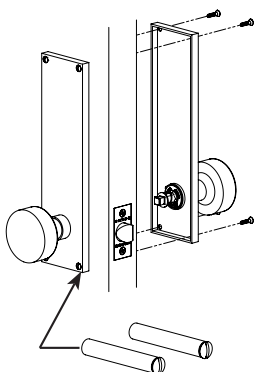


Privacy Function



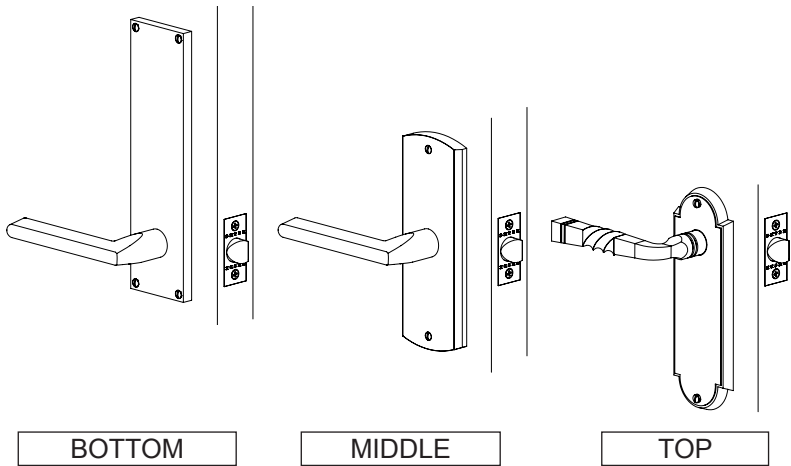
Optional Thru Bolts

Thru bolts (provided) may be used on hollow doors instead of wood screws (also provided).

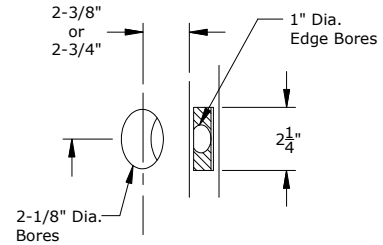


IMPORTANT!: Lever location on the sideplate (Top, middle, bottom) varies depending on style. Determine proper orientation BEFORE drilling holes.

1. Determine lever location & plate orientation

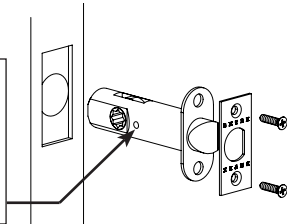


2. Door Prep



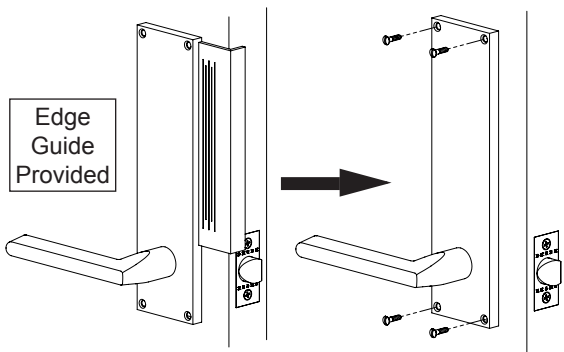
3. Install latch

For Privacy function: Threaded hole for the privacy pin must face the interior side of the door.



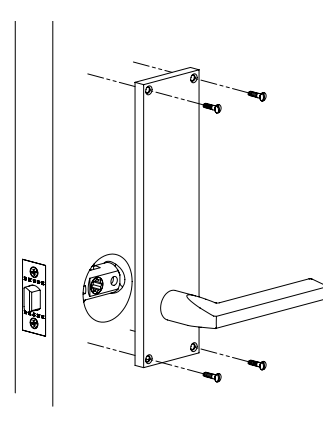
4. Mount Inside Trim Plate

Prior to drilling holes, align side plate using Edge Guide (provided).



Plates and lever vary depending on style

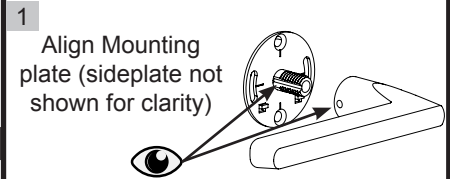
5. Mount Outside Trim Plate



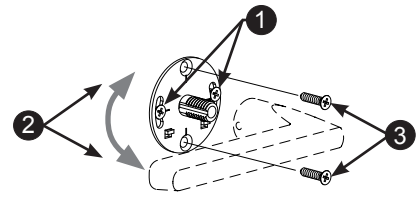
6. Tighten Lever

After lock has been installed tighten set screw with Allen Wrench.

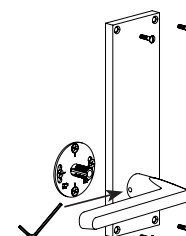
Dummy plate



2. Install Mounting Plate & Adjust for level



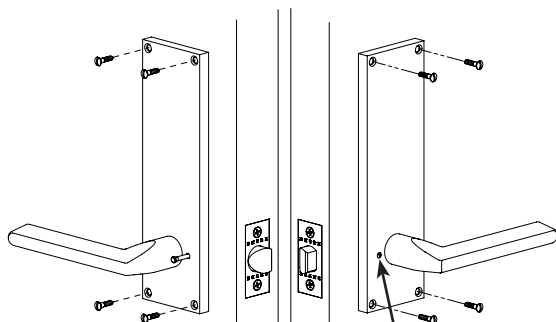
3. Install Sideplate



Privacy Function

Inside

Outside



Make sure the release hole lines up with the privacy pin.

Optional Thru Bolts

Thru bolts (provided) may be used on hollow doors instead of wood screws (also provided).

