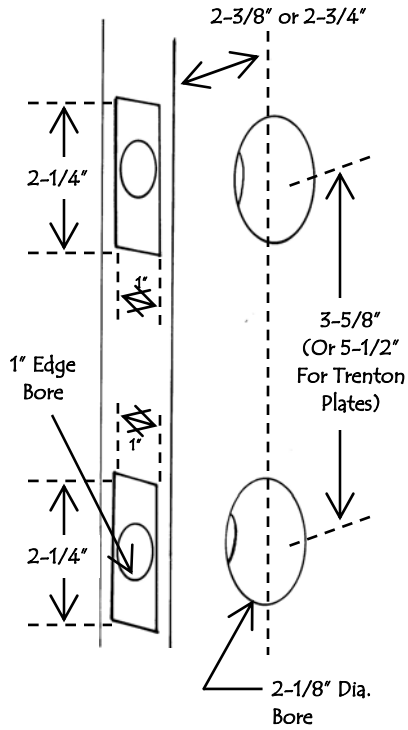
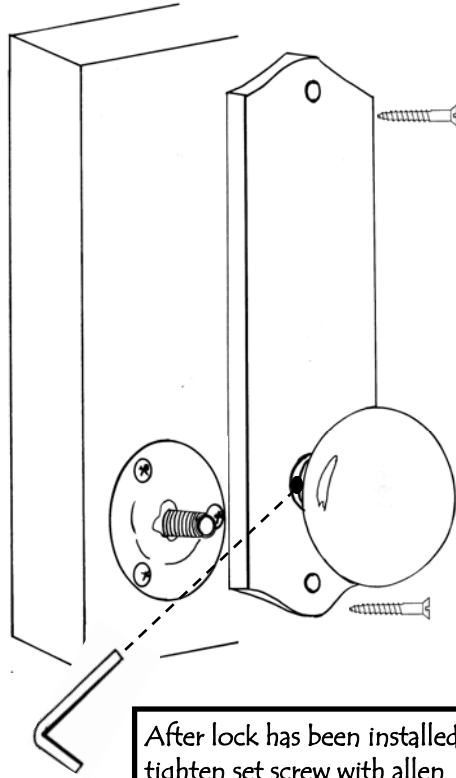


Door Prep. Active

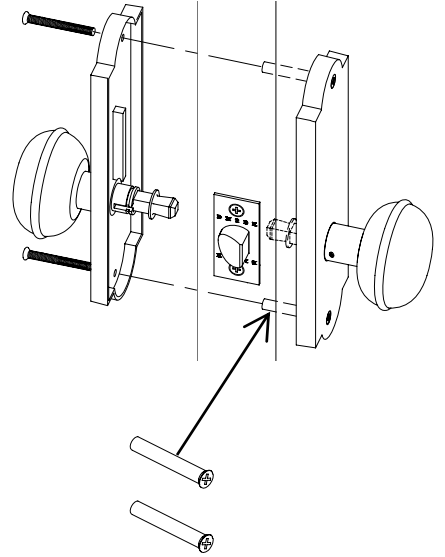


Dummy



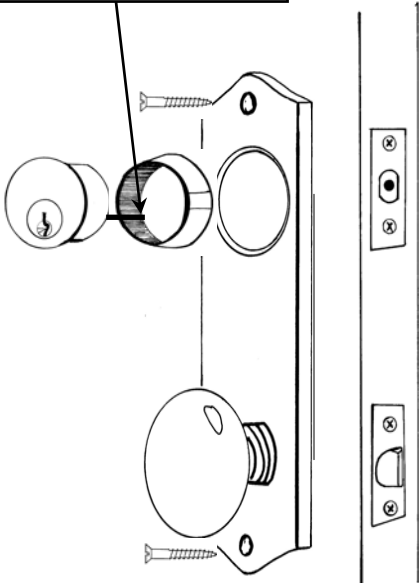
Optional Thru Bolts

Thru bolts (provided) may be used on hollow doors instead of wood screws (also provided).

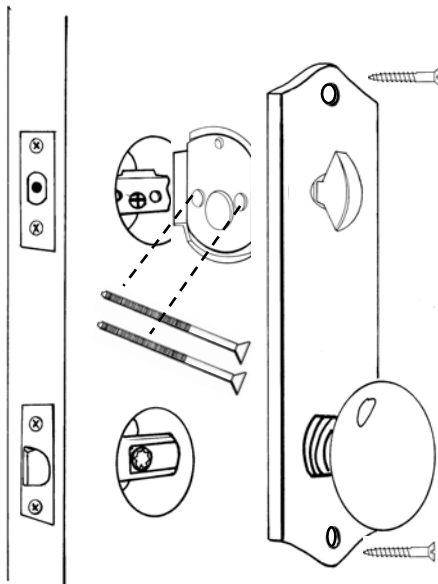


Outside Single or Double Cylinder

Tailpiece - Horizontal

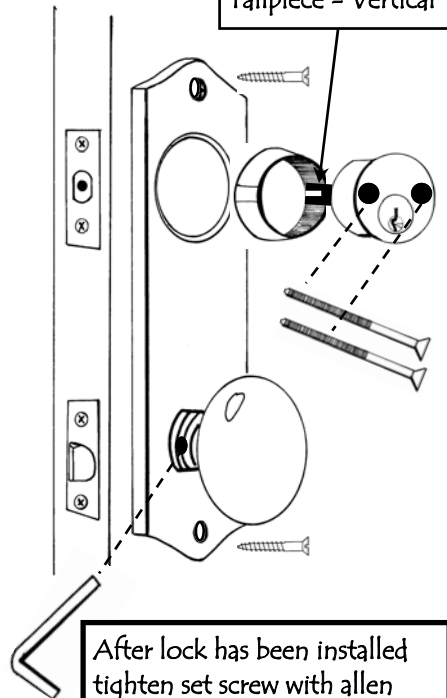


Inside Single Cylinder



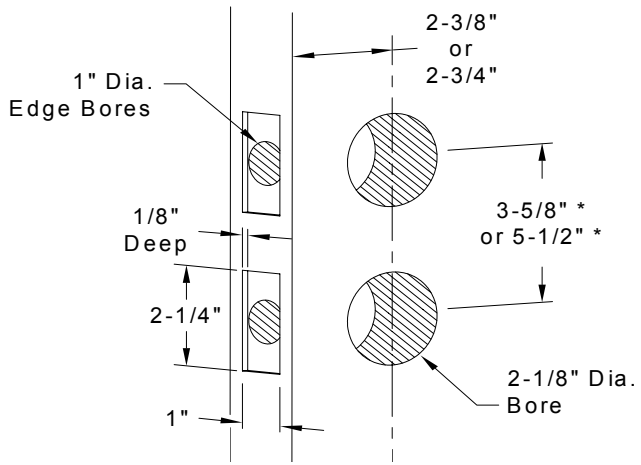
Inside Double Cylinder

Tailpiece - Vertical



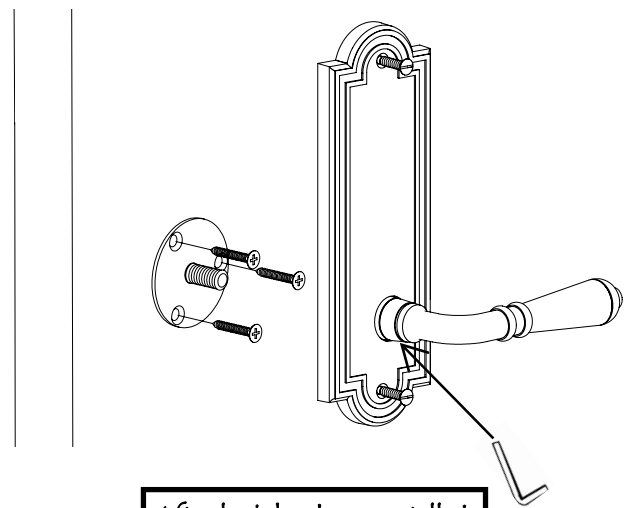
Installation Guide— Keyed Plates : Lever

Door Prep. Active



*NOTE: DIM. VARIES DEPENDING ON STYLE

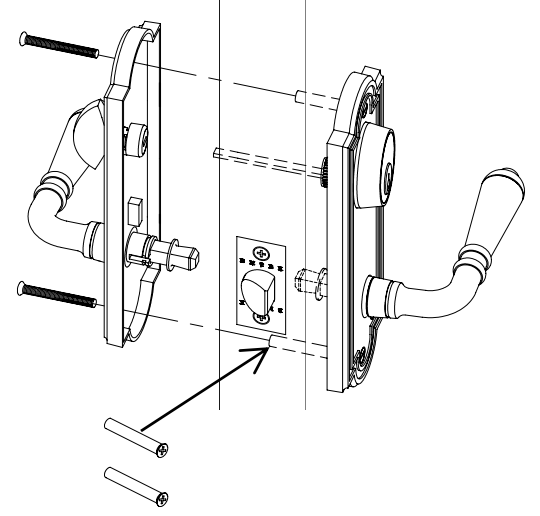
Dummy



After lock has been installed tighten set screw with allen wrench.

Optional Thru Bolts

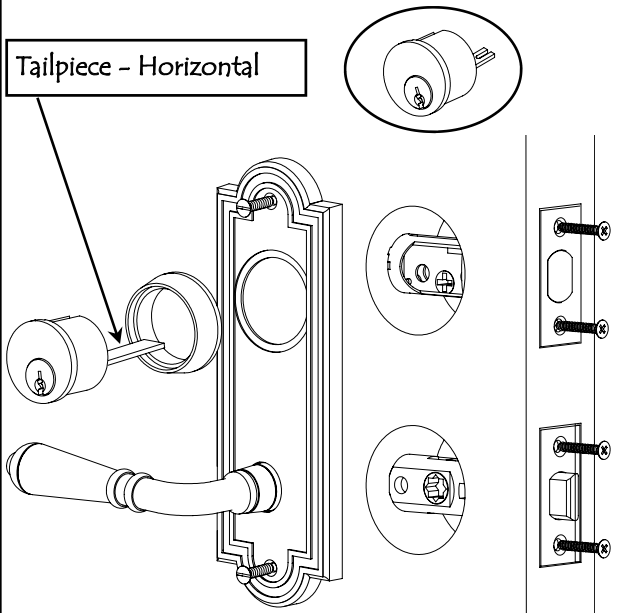
Thru bolts (provided) may be used on hollow doors instead of wood screws (also provided).



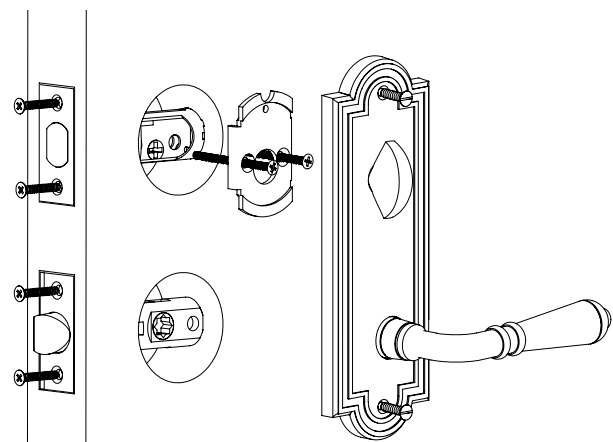
Outside Single or Double Cylinder

Double Cylinder

Tailpiece - Horizontal

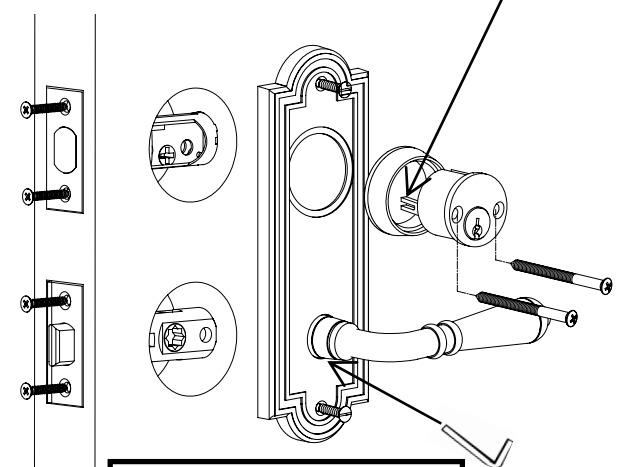


Inside Single Cylinder



Inside Double Cylinder

Tailpiece - Vertical



After lock has been installed tighten set screw with allen wrench.