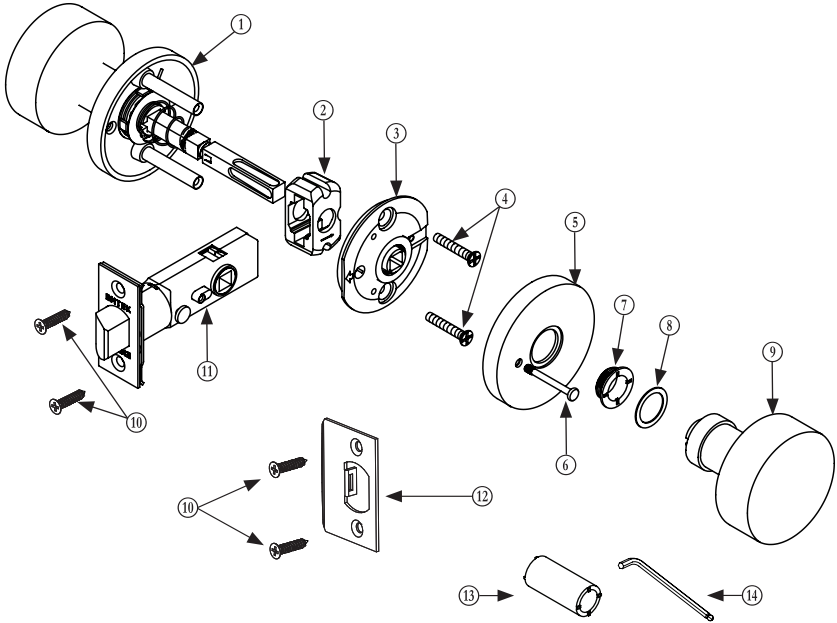


# CF Mechanism

## Passage & Privacy Locksets

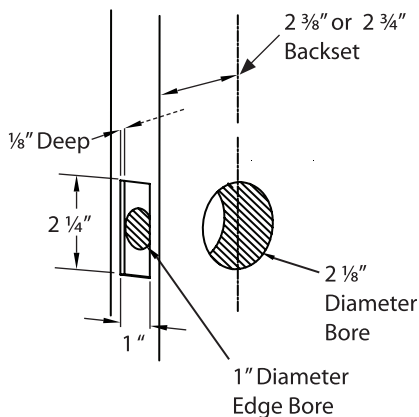
### Installation Guide



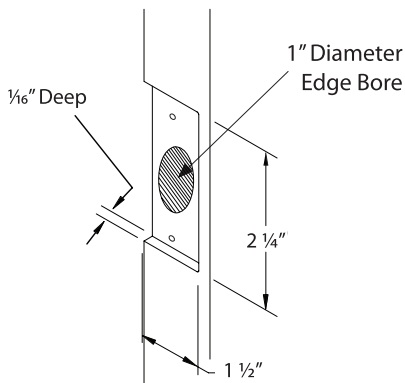
What's in the Box		
ITEM NO.	DESCRIPTION	QTY.
①	Pre-Assembled Trim	1
②	Plastic Alignment Tool	1
③	Concealed Fastener Mechanism	1
④	#8-32 x 1" Flat Head Machine Screws	2
⑤	Rosette	1
⑥	Privacy Pin	1
⑦	Ring Fastener	1
⑧	Plastic Washer	1
⑨	Interior/Exterior Knob or Lever	1
⑩	#8 x 3/4" Wood Screws	4
⑪	Latch	1
⑫	Strike Plate	1
⑬	Plastic Ring Fastener Wrench	1
⑭	3/32" Allen Wrench	1

## Preparation

### 1. Door Prep

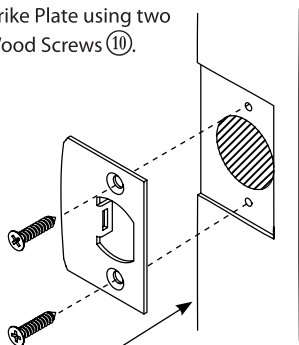


### 2. Door Jamb Prep



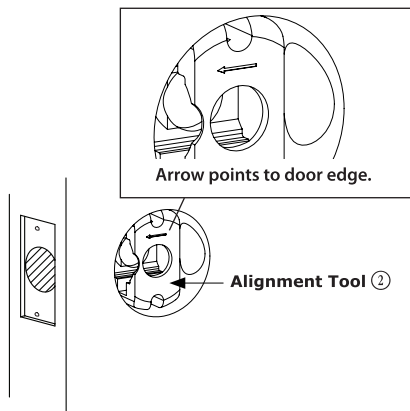
### 3. Install Strike Plate

Fasten Strike Plate using two #8 x 3/4" Wood Screws (10).



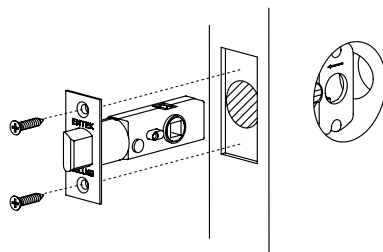
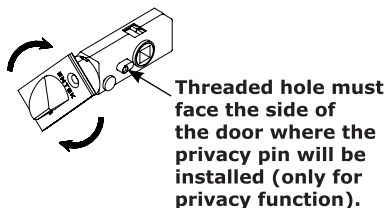
### 4. Install Latch

**Step 1:** Place Plastic Alignment tool (2) in bore hole with arrow pointing to door edge.



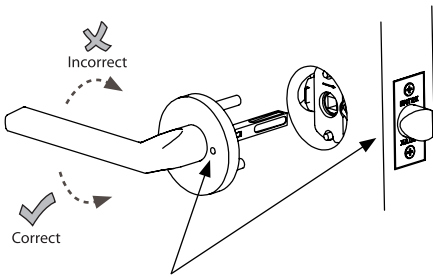
**Step 2:** Insert & fasten Latch (11) using two #8 x 3/4" Wood Screws (10).

**⚠ IF NECESSARY, ROTATE LATCH NOSE SO CURVED FACE WILL HIT THE STRIKE PLATE WHEN THE DOOR IS CLOSING.**



## 5. Install Trims

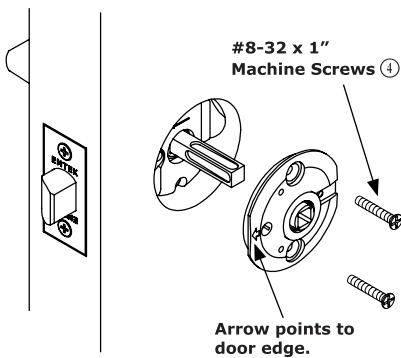
### Step 1: Install Pre-Assembled Trim ①.



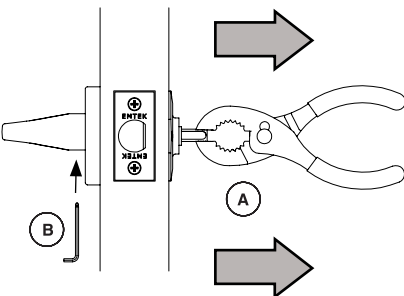
**⚠ Make sure the release hole is close to door edge (applicable only to privacy function).**

### Step 2: Install Concealed Fastener Mechanism ③ with arrow pointing to door edge.

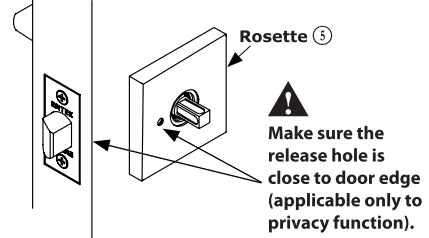
**Check trim alignment before fully tightening screws.**



**Step 3: A. Fully extend spindle by pulling it outwards until it is against the internal stop. B. Tighten the pre-installed set screw in knob or lever with  $\frac{3}{32}$ " Allen Wrench ⑭.**

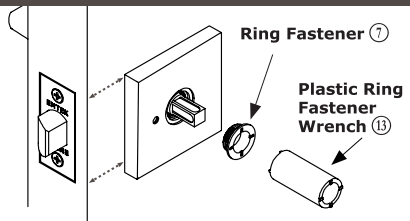


### Step 4: Install Rosette ⑤.

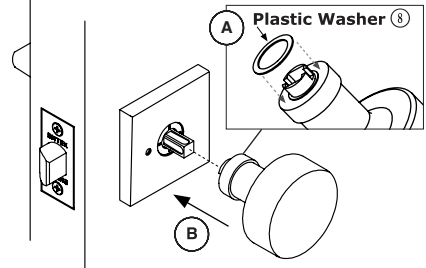


**Step 5: Secure rosette to door with Ring Fastener ⑦ using Plastic Ring Fastener Wrench ⑬.**

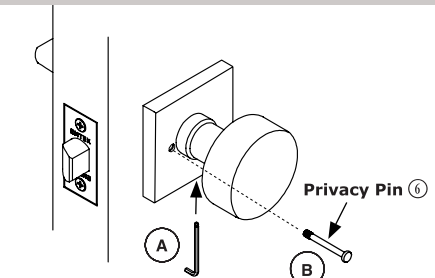
**Check trim alignment before fully tightening Ring Fastener.**



**Step 6: A. Place Plastic Washer ⑧ on to Knob or Lever ⑨. B. Then install Knob or Lever ⑨ by sliding it on to the spindle.**



**Step 7: A. Tighten the pre-installed set screw in knob or lever with  $\frac{3}{32}$ " Allen Wrench ⑭. B. Screw Privacy Pin ⑥ through interior trim in to latch.**





Find us on Facebook  
[facebook.com/EmtekAssaAbloy](https://www.facebook.com/EmtekAssaAbloy)

**EMTEK<sup>®</sup>**  

---

**ASSA ABLOY**

ASSA ABLOY is the global leader in door opening solutions, dedicated to satisfying end-user needs for security, safety and convenience.

Copyright © 2010, Emtek Products, Inc. an ASSA ABLOY Group company. All rights reserved. Reproduction in whole or in part without the express written permission of Emtek Products, Inc. is prohibited.