

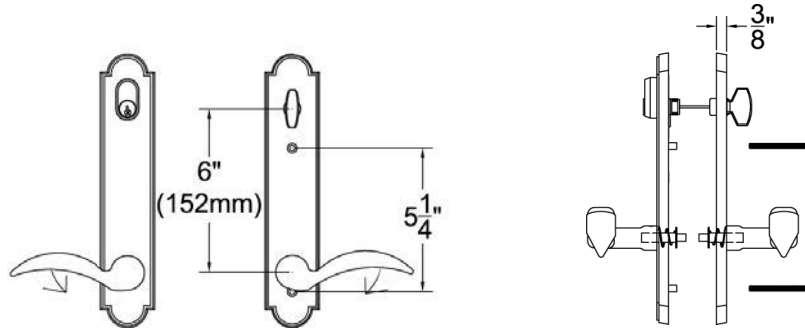
DOOR CONFIGURATION #7 Specification Sheet for Components and Door Thickness

Set includes plates, handles and cylinders (where applicable). Multi Point lock mechanism is not included.

Trillanium® (formerly W&F Manufacturing)

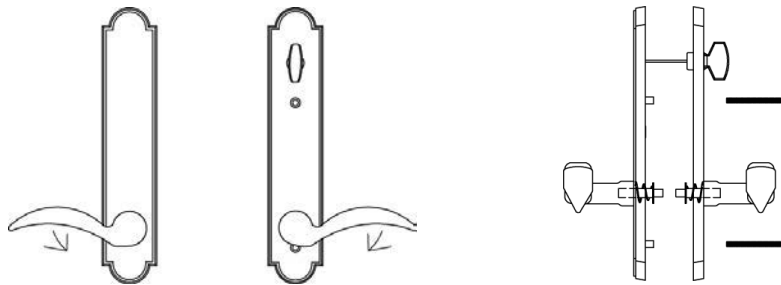
Keyed with American Cylinder (for Active Door, Schlage® Keyway Standard, Weiser® Keyway Optional, Rekeyable)

Product Codes 1721, 1741, 1761, 17B1



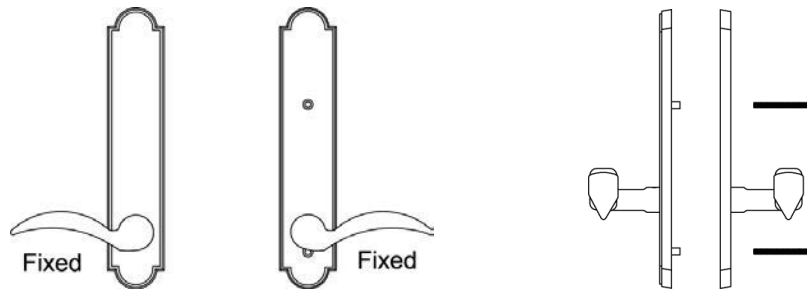
Non-Keyed, American Style T-Turn Inside (Active Door)

Product Codes 1723, 1743, 1763, 17B3



Dummy Pair (for Non-Active Door)

Product Codes 1725, 1745, 1765, 17B5



Non-Keyed, Fixed Handles, American Style T-Turn Inside (for Semi-Active Door)

Product Codes 1726, 1746, 1766, 17B6

